

BALDOR® • ***RELIANCE***

Product Information Packet

CEM3660T-5

3HP,3460RPM,3PH,60HZ,182TC,0619M,TEFC,F1

Part Detail							
Revision:	F	Status:	PRD/A	Change #:		Proprietary:	No
Type:	AC	Prod. Type:	0619M	Elec. Spec:	06WGX177	CD Diagram:	CD0006
Enclosure:	TEFC	Mfg Plant:		Mech. Spec:	06F057	Layout:	06LYF057
Frame:	182TC	Mounting:	F1	Poles:	02	Created Date:	04-26-2010
Base:	RG	Rotation:	R	Insulation:	F	Eff. Date:	10-16-2015
Leads:	3#16					Replaced By:	
Literature:		Elec. Diagram:					

Nameplate NP3441L							
CAT.NO.	CEM3660T-5						
SPEC.	06F057X177G1						
HP	3						
VOLTS	575						
AMP	3						
RPM	3460						
FRAME	182TC	HZ	60	PH	3		
SER.F.	1.15	CODE	K	DES	B	CL	F
NEMA-NOM-EFF	86.5	PF	87				
RATING	40C AMB-CONT						
CC	010A	USABLE AT 208V					
DE	6206	ODE	6205				
ENCL	TEFC	SN					
VPWM INVERTER READY							
CT6-60H(10:1)VT3-60H(20:1)							

Parts List		
Part Number	Description	Quantity
SA199157	SA 06F057X177G1	1.000 EA
RA186496	RA 06F057X177G1	1.000 EA
34FN3002B02	EXTERNAL FAN, PLASTIC, .905/.907 HUB W/	1.000 EA
S/P107-000-001	SUPER E PROC'S-FS, WS & CK PLTS	1.000 EA
HW3201A05	3/8-16 EYEBOLT	1.000 EA
06CB3000	BALDOR CONDUIT BOX CAST	1.000 EA
06GS1000	GASKET,CONDUIT BOX	1.000 EA
51XW2520A12	SCREW, HEX SER SLT HD, ZN, 1/4-20 X .75	2.000 EA
51XW2520A12	.25-20 X .75, TAPTITE II, HEX WSHR SLTD	2.000 EA
11XW1032G06	10-32 X .38, TAPTITE II, HEX WSHR SLTD U	1.000 EA
HW3001B01	BRASS CUP WASHER, FOR #8 SCREW	1.000 EA
36EP1101A21	FR ENDPLATE, MACH	1.000 EA
HW4500A01	1641B(ALEMITE)400 UNIV, GREASE FITT	1.000 EA
HW4500A17	317400 ALEMITE GREASE RELIEF	1.000 EA
HW5100A05	WVY WSHR F/205 & 304 BRGS	1.000 EA
36PE1300A13	PU ENDPLATE, FOR ROUTING PURPOSES	1.000 EA
HW4500A01	1641B(ALEMITE)400 UNIV, GREASE FITT	1.000 EA
HW4500A17	317400 ALEMITE GREASE RELIEF	1.000 EA
10XN2520A26	1/4-20X 1 5/8 HEX HD	4.000 EA
HW1001A25	LOCKWASHER 1/4, ZINC PLT .493 OD, .255 I	4.000 EA
HA3101A34	THRUBOLT- 1/4-20 X 10.375	4.000 EA
51XB1214A16	12-14X1.00 HXWSSLD SERTYB	1.000 EA
36FH4009A31	IEC FH W/GREASER & SPL NOTCH, W/ AUTOPHE	1.000 EA
51XW1032A06	10-32 X .38, TAPTITE II, HEX WSHR SLTD S	3.000 EA

Parts List (continued)		
Part Number	Description	Quantity
06CB3500	BALDOR CONDUIT BOX LID	1.000 EA
06GS1001	BALDOR CONDUIT BOX GASKET	1.000 EA
HW2501E16	3KEY, 1/4 SQ X 1.750	1.000 EA
HA7000A02	KEY RETAINER RING, 1 1/8 DIA, 1 3/8 DIA	1.000 EA
85XU0407S04	4X1/4 U DRIVE PIN STAINLESS	2.000 EA
LB1115N	LABEL,LIFTING DEVICE (ON ROLLS)	1.000 EA
MJ1000A75	GREASE, POLYREX EM EXXON (USe 4824-15A)	0.050 LB
MG1000Y03	MUNSELL 2.53Y 6.70/ 4.60, GLOSS 20,	0.028 GA
LB1119N	WARNING LABEL	1.000 EA
LC0006	CONNECTION LABEL	1.000 EA
NP3441L	ALUM SUPER-E VPWM INVERTER READY UL	1.000 EA
36PA1001	PKG GRP, PRINT PK1017A06	1.000 EA
MN416A01	TAG-INSTAL-MAINT no wire (1200/bx) 11/14	1.000 EA

AC Induction Motor Performance Data

Record # 31006 - Typical performance - not guaranteed values

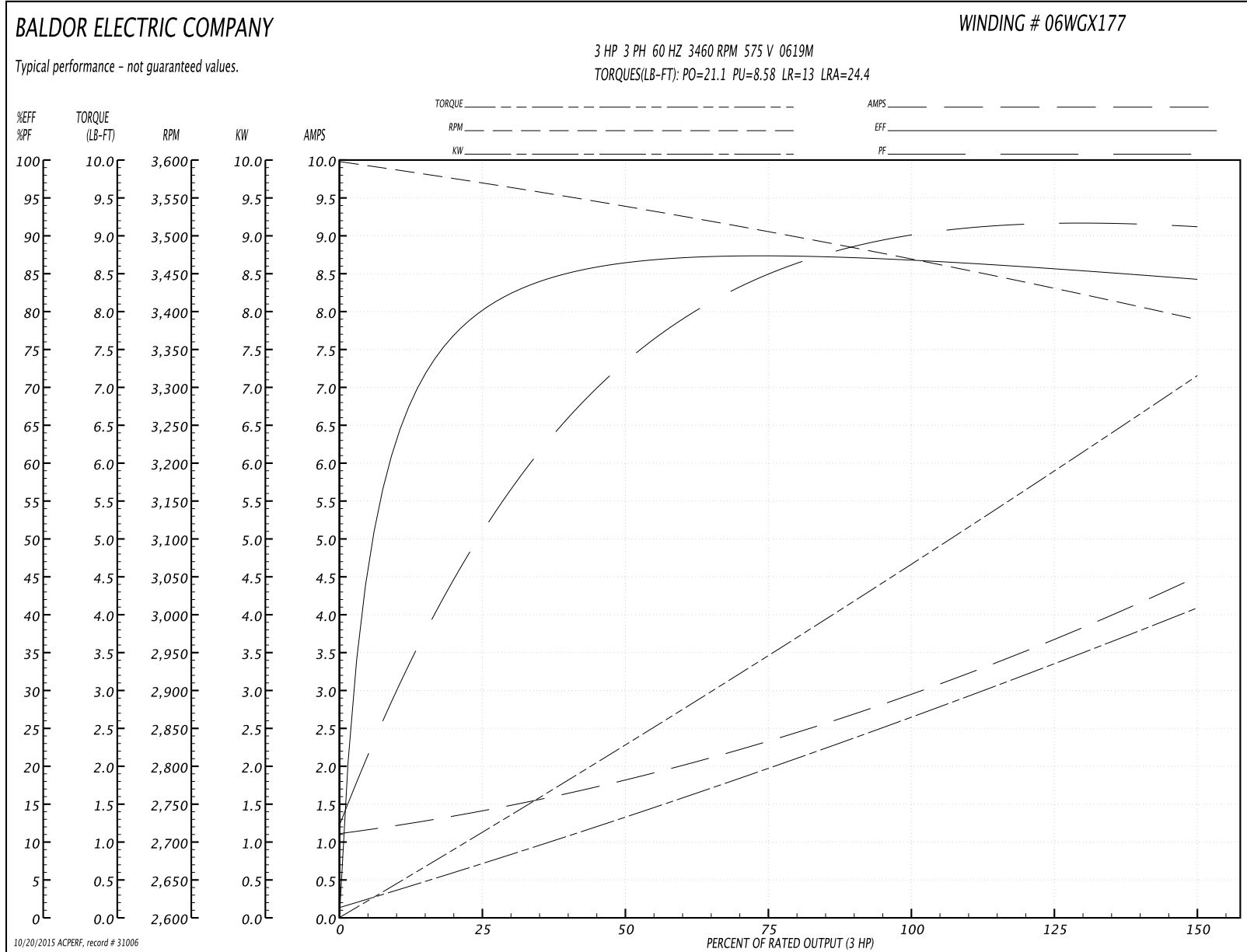
Winding: 06WGX177-R001	Type: 0619M	Enclosure: TEFC
-------------------------------	--------------------	------------------------

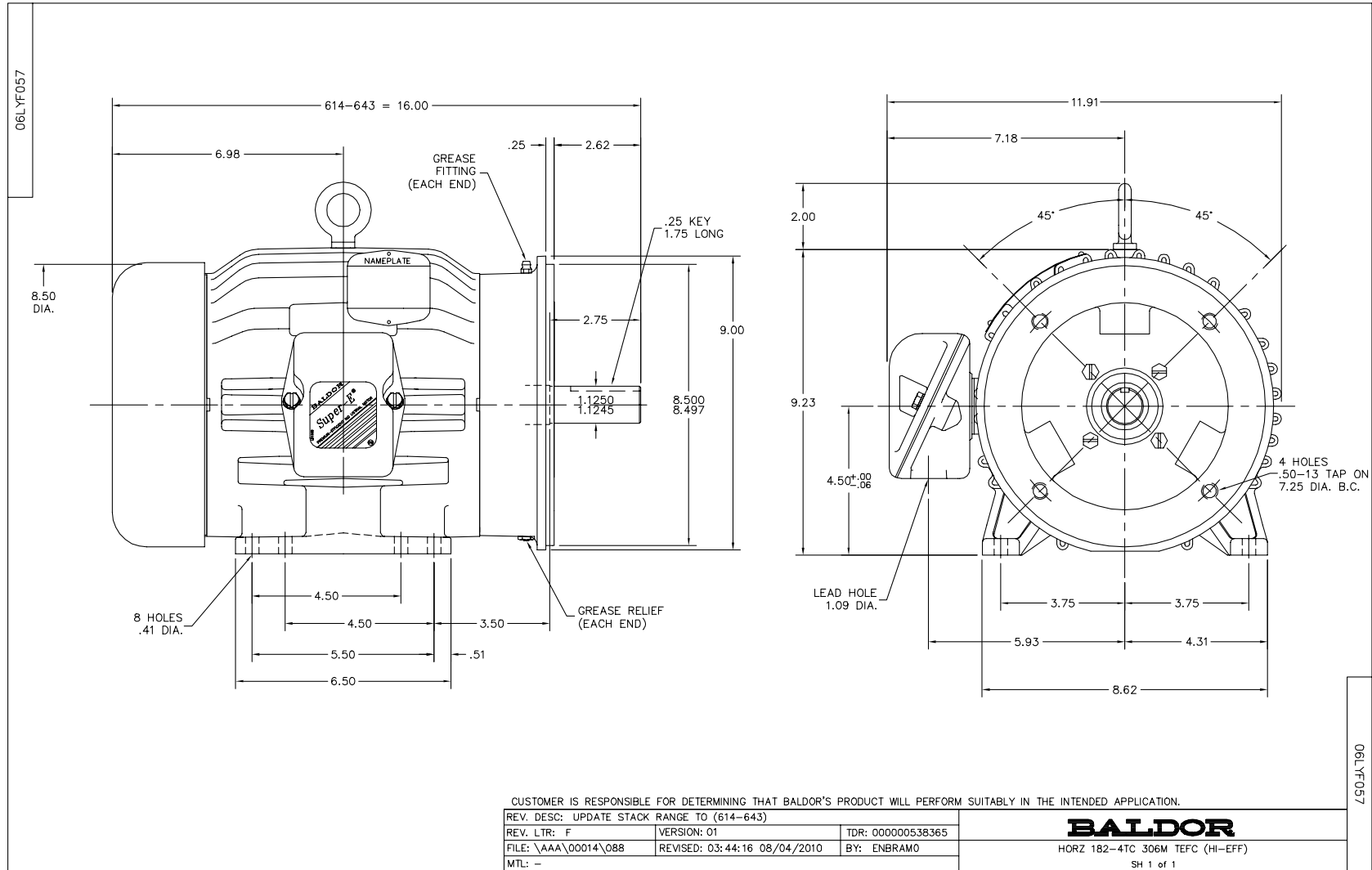
Nameplate Data				575 V, 60 Hz: Single Voltage Motor	
Rated Output (HP)	3			Full Load Torque	4.73 LB-FT
Volts	575			Start Configuration	direct on line
Full Load Amps	3			Breakdown Torque	21.1 LB-FT
R.P.M.	3460			Pull-up Torque	8.58 LB-FT
Hz	60	Phase	3	Locked-rotor Torque	13 LB-FT
NEMA Design Code	B	KVA Code	K	Starting Current	24.4 A
Service Factor (S.F.)	1.15			No-load Current	1.16 A
NEMA Nom. Eff.	86.5	Power Factor	87	Line-line Res. @ 25°C	7.76 Ω
Rating - Duty	40C AMB-CONT			Temp. Rise @ Rated Load	45°C
S.F. Amps				Temp. Rise @ S.F. Load	55°C
				Rotor inertia	0.0839 LB-FT ²

Load Characteristics 575 V, 60 Hz, 3 HP

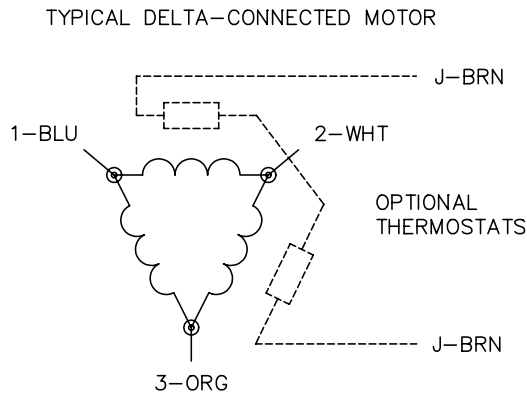
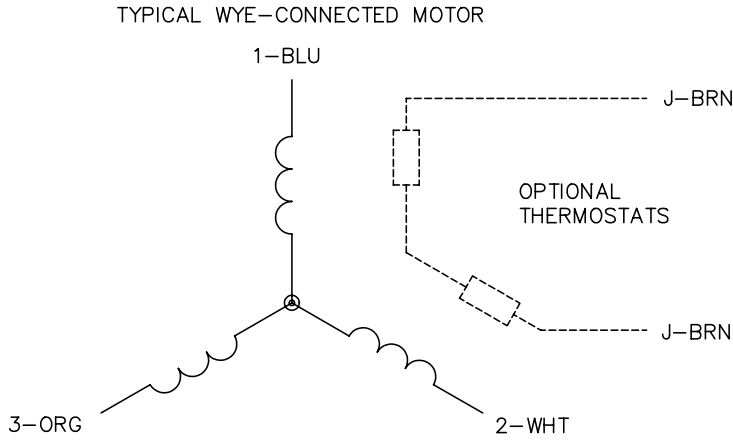
% of Rated Load	25	50	75	100	125	150	S.F.
Power Factor	58	77	85	89	91	92	88
Efficiency	81.9	86.2	87.4	87	85.7	84.2	85.8
Speed	3566	3535	3502	3468	3431	3389	3453
Line amperes	1.39	1.84	2.4	3.03	3.7	4.47	3.48

Performance Graph at 575V, 60Hz, 3.0HP Typical performance - Not guaranteed values





CD0006



NOTES:

1. THREE LEAD MOTOR MAY BE EITHER WYE CONNECTED OR DELTA CONNECTED.
2. INTERCHANGE ANY TWO LINE LEADS TO REVERSE ROTATION.
3. OPTIONAL THERMOSTATS ARE PROVIDED WHEN SPECIFIED.
4. ACTUAL NUMBER OF INTERNAL PARALLEL CIRCUITS MAY VARY.
5. LEAD COLORS ARE OPTIONAL. LEADS MUST BE NUMBERED AS SHOWN.

REV. DESC: REVISE TO SHOW OPTIONAL COLORS			
REV. LTR: D	BY: JLP	REVISED: 01/21/99 4:02	TDR: 0171435
9000D		FILE: AAA00005141	MDL: -
		MTL: -	

BALDOR ELECTRIC Co.

3PH, SV, 3 LEADS, WYE OR DELTA CONNECTED

CD0006