

# **BALDOR**® • ***RELIANCE***

## **Product Information Packet**

# **CEM3546**

**1HP,1760RPM,3PH,60HZ,56C,3519M,TEFC,F1,N**

Part Detail							
Revision:	L	Status:	PRD/A	Change #:		Proprietary:	No
Type:	AC	Prod. Type:	3519M	Elec. Spec:	35WGM492	CD Diagram:	CD0005
Enclosure:	TEFC	Mfg Plant:		Mech. Spec:	35A012	Layout:	35LYA012
Frame:	56C	Mounting:	F1	Poles:	04	Created Date:	08-04-2010
Base:	RG	Rotation:	RS	Insulation:	B	Eff. Date:	10-16-2015
Leads:	9#18					Replaced By:	
Literature:		Elec. Diagram:					

<b>Nameplate NP3441LUA</b>									
CAT.NO.	CEM3546								
SPEC.	35A012M492G1								
HP	1//.75								
VOLTS	230/460//190/380								
AMP	3/1.5//2.8/1.4								
RPM	1760//1460								
FRAME	56C	HZ	60//50	PH	3				
SER.F.	1.00	CODE	L	DES	B	CL	B		
NEMA-NOM-EFF	85.5	PF	71						
RATING	40C AMB-CONT								
CC		USABLE AT 208V	3.1						
DE	6205	ODE	6203						
ENCL	TEFC	SN							
VPWM INVERTER READY									
CT6-60H(10:1)VT3-60H(20:1)									
	50Hz 1HP 190/380V 3.6/1.8A sf1.0								

Parts List		
Part Number	Description	Quantity
SA200993	SA 35A012M492G1	1.000 EA
RA188298	RA 35A012M492G1	1.000 EA
34FN3002B01	EXTERNAL FAN, PLASTIC, .637/.639 HUB W/	1.000 EA
S/P107-000-001	SUPER E PROC'S-FS, WS & CK PLTS	1.000 EA
NS2512A01	INSULATOR, CONDUIT BOX X	1.000 EA
35CB3007	35 CB CASTING W/.88 DIA. LEAD HOLE	1.000 EA
36GS1000SP	GASKET-CONDUIT BOX, .06 THICK #SV-330 LE	1.000 EA
51XB1016A07	10-16 X 7/16 HXWSSLD SERTYB	2.000 EA
11XW1032G06	10-32 X .38, TAPTITE II, HEX WSHR SLTD U	1.000 EA
35EP3100M02	FREP TEFC 203 BRG W/O GR SR (RAISED FH MT	1.000 EA
HW5100A03SP	WAVY WASHER (W1543-017)	1.000 EA
35EP3300A33	SPL FACE MTD EP -ENCL-205 BRG	1.000 EA
51XN1032A20	10-32 X 1 1/4 HX WS SL SR	2.000 EA
51XB1214A16	12-14X1.00 HXWSSLD SERTYB	1.000 EA
35FH4005A32	IEC FH NO GR SR W/3 HOLES - W/AUTOPHERETI	1.000 EA
51XW1032A06	10-32 X .38, TAPTITE II, HEX WSHR SLTD S	3.000 EA
35CB4521GX	CONDUIT BOX LID KIT	1.000 EA
51XW0832A07	8-32 X .44, TAPTITE II, HEX WSHR SLTD SE	4.000 EA
HW2501D13SP	KEY, 3/16 SQ X 1.375	1.000 EA
HA7000A04	KEY RETAINER 0.625 DIA SHAFTS	1.000 EA
85XU0407S04	4X1/4 U DRIVE PIN STAINLESS	2.000 EA
MJ1000A75	GREASE, POLYREX EM EXXON (USe 4824-15A)	0.050 LB
MG1000Y03	MUNSELL 2.53Y 6.70/ 4.60, GLOSS 20,	0.017 GA
HA3100A12	THRUBOLT 10-32 X 7.375	4.000 EA

<b>Parts List (continued)</b>		
<b>Part Number</b>	<b>Description</b>	<b>Quantity</b>
LC0005E01	CONN.DIA./WARNING LABEL (LC0005/LB1119N)	1.000 EA
NP3441LUA	ALUM SUPER-E VPWM INV READY UL	1.000 EA
35PA1066	PKG GRP, PRINT PK1008A06	1.000 EA
MN416A01	TAG-INSTAL-MAINT no wire (1200/bx) 11/14	1.000 EA

**AC Induction Motor Performance Data**

Record # 33669 - Typical performance - not guaranteed values

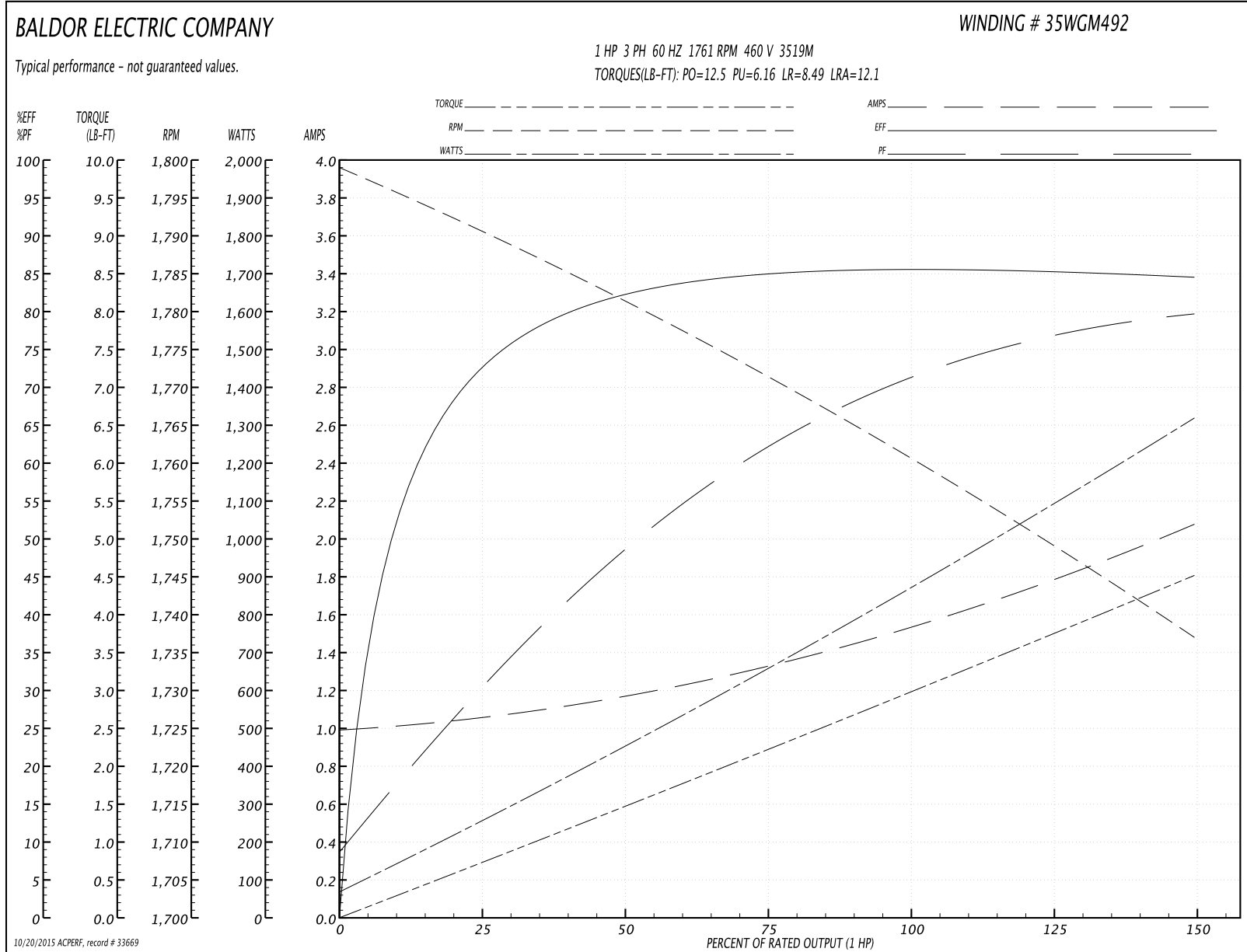
<b>Winding:</b> 35WGM492-R005	<b>Type:</b> 3519M	<b>Enclosure:</b> XPFC
-------------------------------	--------------------	------------------------

Nameplate Data				460 V, 60 Hz: High Voltage Connection	
Rated Output (HP)	1//.75			Full Load Torque	2.97 LB-FT
Volts	230/460//190/380			Start Configuration	direct on line
Full Load Amps	3/1.5//2.8/1.4			Breakdown Torque	12.5 LB-FT
R.P.M.	1760//1460			Pull-up Torque	6.16 LB-FT
Hz	60//50	Phase	3	Locked-rotor Torque	8.49 LB-FT
NEMA Design Code	B	KVA Code	L	Starting Current	12.1 A
Service Factor (S.F.)	1			No-load Current	1 A
NEMA Nom. Eff.	85.5	Power Factor	71	Line-line Res. @ 25°C	16.3 Ω
Rating - Duty	40C AMB-CONT			Temp. Rise @ Rated Load	36°C
				Rotor inertia	0.112 LB-FT <sup>2</sup>

Load Characteristics 460 V, 60 Hz, 1 HP

% of Rated Load	25	50	75	100	125	150
Power Factor	30	49	62	71	76	80
Efficiency	72	81.9	84.8	85.8	85.4	84.4
Speed	1791	1781	1772	1761	1749	1737
Line amperes	1.05	1.15	1.33	1.54	1.79	2.07

Performance Graph at 460V, 60Hz, 1.0HP Typical performance - Not guaranteed values



**AC Induction Motor Performance Data**

Record # 33670 - Typical performance - not guaranteed values

<b>Winding:</b> 35WGM492-R005	<b>Type:</b> 3519M	<b>Enclosure:</b> XPFC
-------------------------------	--------------------	------------------------

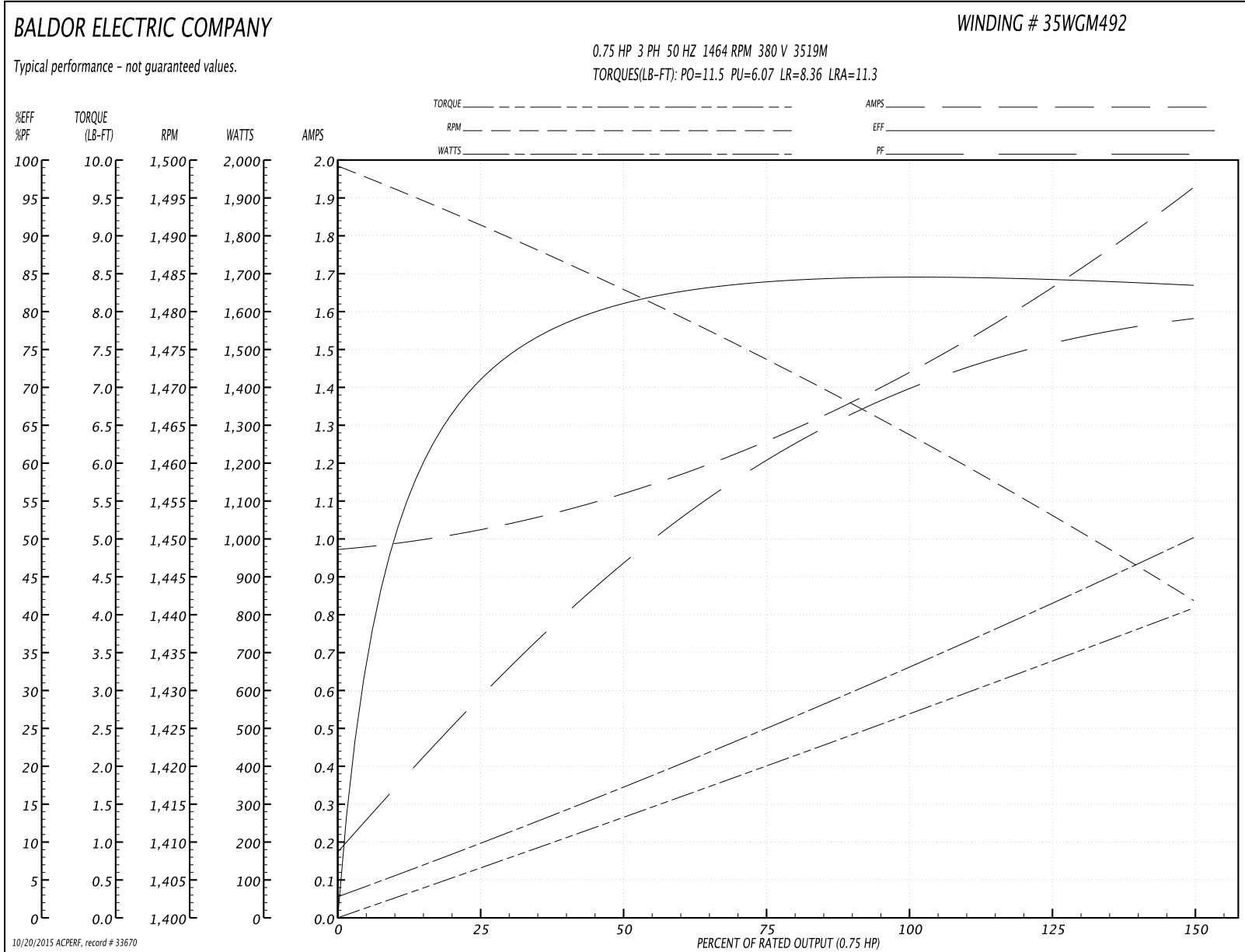
Nameplate Data				380 V, 50 Hz: High Voltage Connection	
Rated Output (HP)	1//.75			Full Load Torque	2.68 LB-FT
Volts	230/460//190/380			Start Configuration	direct on line
Full Load Amps	3/1.5//2.8/1.4			Breakdown Torque	11.5 LB-FT
R.P.M.	1760//1460			Pull-up Torque	6.07 LB-FT
Hz	60//50	Phase	3	Locked-rotor Torque	8.36 LB-FT
NEMA Design Code	B	KVA Code	L	Starting Current	11.3 A
Service Factor (S.F.)	1			No-load Current	0.979 A
NEMA Nom. Eff.	85.5	Power Factor	71	Line-line Res. @ 25°C	16.3 Ω
Rating - Duty	40C AMB-CONT			Temp. Rise @ Rated Load	33°C
				Rotor inertia	0.112 LB-FT <sup>2</sup>

Load Characteristics 380 V, 50 Hz, 0.75 HP

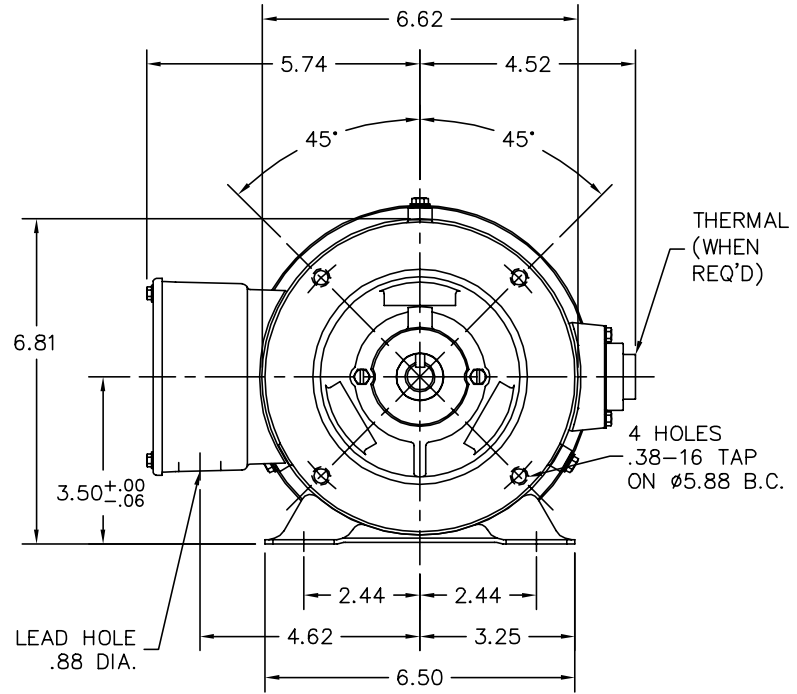
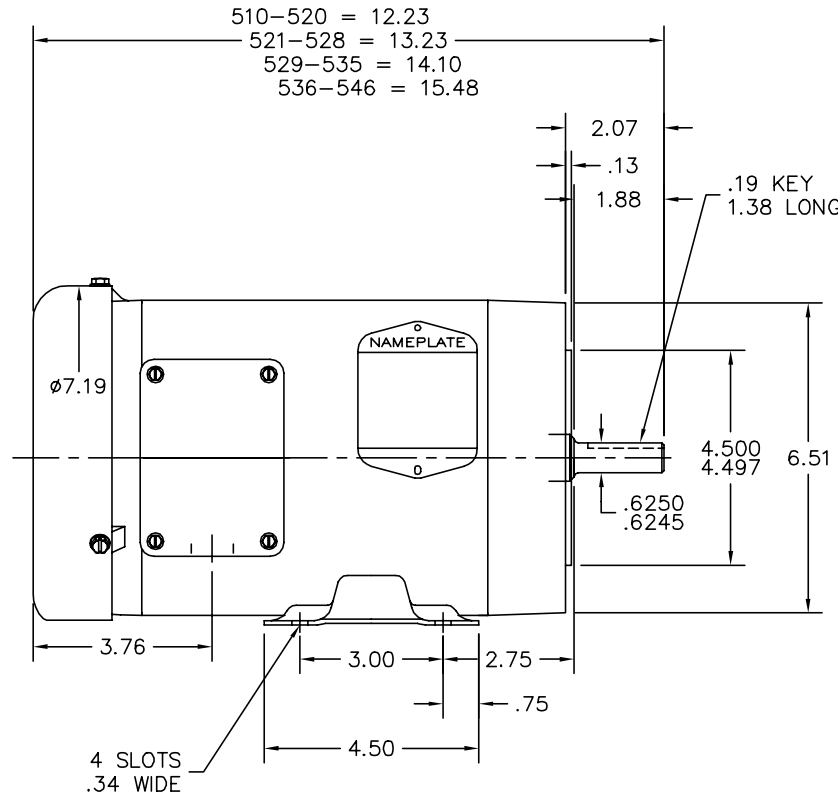
% of Rated Load	25	50	75	100	125	150
Power Factor	29	47	60	69	75	80
Efficiency	70.7	80.5	83.7	84.8	84.4	83.4
Speed	1492	1483	1474	1464	1453	1442
Line amperes	1.02	1.1	1.26	1.44	1.67	1.92



Performance Graph at 380V, 50Hz, 0.75HP Typical performance - Not guaranteed values



35LYA012



CUSTOMER IS RESPONSIBLE FOR DETERMINING THAT BALDOR'S PRODUCT WILL PERFORM SUITABLY IN THE INTENDED APPLICATION.

REV. DESC: UPDATE KOLD GRAPHICS		
REV. LTR: Q	VERSION: 05	TDR: 000000486011
FILE: \AAA\00002\448		REVISED: 13:38:54 12/30/2008
MTL: -		BY: ENCHEBO

**BALDOR • DODGE • RELIANCE**

STD HORZ 56C TEFC 35M

SH 1 of 1

35LYA012

CD0005

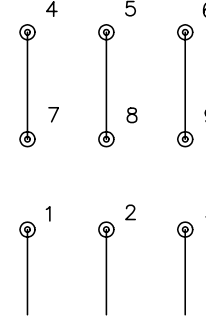


LOW VOLTAGE  
(2Y)



LINE

HIGH VOLTAGE  
(1Y)



LINE

NOTES:

1. INTERCHANGE ANY TWO LINE LEADS TO REVERSE ROTATION.
2. OPTIONAL THERMOSTATS ARE PROVIDED WHEN SPECIFIED.
3. ACTUAL NUMBER OF INTERNAL PARALLEL CIRCUITS MAY BE A MULTIPLE OF THOSE SHOWN ABOVE.
4. LEAD COLORS ARE OPTIONAL. LEADS MUST ALWAYS BE NUMBERED AS SHOWN.

REV. DESC: REVISE TO SHOW OPTIONAL COLORS			
REV. LTR: E	BY: JLP	REVISED: 01/19/99 10:15	TDR: 0171435
90000		FILE: AAA00005140	MDL: -
		MTL: -	

**BALDOR ELECTRIC Co.**

3PH, DV, 9 LEADS

CD0005