

BALDOR® • RELIANCE

Product Information Packet

CEM2333T-5

15HP, 1760RPM, 3PH, 60HZ, 254TC, 0942M, TEFC, F

Part Detail							
Revision:	E	Status:	PRD/A	Change #:		Proprietary:	No
Type:	AC	Prod. Type:	0942M	Elec. Spec:	09WGX130	CD Diagram:	CD0006
Enclosure:	TEFC	Mfg Plant:		Mech. Spec:	09C102	Layout:	09LYC102
Frame:	254TC	Mounting:	F1	Poles:	04	Created Date:	02-20-2013
Base:	RG	Rotation:	R	Insulation:	F	Eff. Date:	10-16-2015
Leads:	3#12					Replaced By:	
Literature:		Elec. Diagram:					

Nameplate NP3441L							
CAT.NO.	CEM2333T-5						
SPEC.	09C102X130G1						
HP	15						
VOLTS	575						
AMP	14.5						
RPM	1760						
FRAME	254TC	HZ	60	PH	3		
SER.F.	1.15	CODE	H	DES	B	CL	F
NEMA-NOM-EFF	92.4	PF	84				
RATING	40C AMB-CONT						
CC	010A	USABLE AT 208V					
DE	6309	ODE	6208				
ENCL	TEFC	SN					
VPWM INVERTER READY							
CT6-60H(10:1)VT3-60H(20:1)							

Parts List		
Part Number	Description	Quantity
SA259174	SA 09C102X130G1	1.000 EA
RA245935	RA 09C102X130G1	1.000 EA
37FN3002A02	EXFN, PLASTIC, 9.00 OD, 1.503 ID	1.000 EA
S/P107-000-005	SUPER-E PROC'S(254/6 FR.) ZK PLANT - POL	1.000 EA
HW1002A63	WASHER, 5/8 HI-COLLAR SPRLCKWASHER	1.000 EA
09CB3002SP	CB W/1.38 LEAD HOLE FOR 37, 39, 307 & 30	1.000 EA
09GS1000SP	GASKET-CONDUIT BOX, 1/16 THICK LEXIDE	1.000 EA
10XN2520K12	1/4-20 X.75 GRD 5	2.000 EA
HW1001A25	LOCKWASHER 1/4, ZINC PLT .493 OD, .255 I	2.000 EA
09EP1300A155	PUEP MACH W/309 BRG & "O" DRAIN, SLINGER	1.000 EA
HW4600B44SP	V-RING SLINGER 1.500 X 1.810 X 0.280	1.000 EA
WD1000B17	T&B CX35TN TERMINAL	1.000 EA
11XW1032G06	10-32 X .38, TAPTITE II, HEX WSHR SLTD U	1.000 EA
09EP1100A194	ENDPLATE, MACH	1.000 EA
HW1001A38	LOCKWASHER 3/8, ZINC PLT .688 OD, .382 I	4.000 EA
XY3816A12	3/8-16 FINISHED NUT	4.000 EA
HW5100A08	W3118-035 WVY WSHR (WB)	1.000 EA
10XN2520K28	1/4-20 X 1.75" HX HD SCRWGRADE 5, ZINC P	2.000 EA
HW1001A25	LOCKWASHER 1/4, ZINC PLT .493 OD, .255 I	2.000 EA
10XN2520K36	1/4-20 X 2.25" HX HD SCRWGRADE 5, ZINC P	4.000 EA
HW1001A25	LOCKWASHER 1/4, ZINC PLT .493 OD, .255 I	4.000 EA
HA3113A02	THRUBOLT 3/8-16 X 16.750	4.000 EA
HW1001A38	LOCKWASHER 3/8, ZINC PLT .688 OD, .382 I	4.000 EA
HA2081A05	SPACER TUBE, 309 FAN HSG, 2.00 LONG	4.000 EA

Parts List (continued)		
Part Number	Description	Quantity
XY3816A12	3/8-16 FINISHED NUT	4.000 EA
HW1001A38	LOCKWASHER 3/8, ZINC PLT .688 OD, .382 I	4.000 EA
09CB3501SP	CONDUIT BOX LID FOR 09CB3001 & 09CB3002	1.000 EA
09GS1013SP	09 GS FOR 09CB3501 LID - LEXIDE	1.000 EA
51XW2520A12	.25-20 X .75, TAPTITE II, HEX WSHR SLTD	2.000 EA
HW2501G25	KEY, 3/8 SQ X 2.875	1.000 EA
LB1115N	LABEL,LIFTING DEVICE (ON ROLLS)	1.000 EA
MN416A01	TAG-INSTAL-MAINT no wire (1200/bx) 11/14	1.000 EA
HW4500A05	1669B ALEM/UNIV860 GR FTG X	1.000 EA
HW4500A17	317400 ALEMITE GREASE RELIEF	1.000 EA
HA4066A01	PUSH IN T-DRAIN FITTING (BLACK)	1.000 EA
MJ1000A75	GREASE, POLYREX EM EXXON (USe 4824-15A)	0.080 LB
HA4051A00	PLASTIC CAP FOR GREASE FITTING	1.000 EA
HA4051A00	PLASTIC CAP FOR GREASE FITTING	1.000 EA
HW4500A03	GREASE FITTING, .125 NPT 1610(ALEMITE) 8	1.000 EA
HW4500A17	317400 ALEMITE GREASE RELIEF	1.000 EA
HA4066A01	PUSH IN T-DRAIN FITTING (BLACK)	1.000 EA
HW2500A25	WOODRUFF KEY USA #1008 #BLOW CARBON STEE	1.000 EA
51XB1214A20	12-14X1.25 HXWSSLD SERTYB	1.000 EA
09FH4000SP	FAN COVER, STAMPED	1.000 EA
MG1000Y03	MUNSELL 2.53Y 6.70/ 4.60, GLOSS 20,	0.050 GA
85XU0407S04	4X1/4 U DRIVE PIN STAINLESS	2.000 EA
LB1119N	WARNING LABEL	1.000 EA
LC0006	CONNECTION LABEL	1.000 EA

NP3441L	ALUM SUPER-E VPWM INVERTER READY UL	1.000 EA
09PA1000	PACKAGING GROUP COMBINED PRINT	1.000 EA

AC Induction Motor Performance Data
Record # 1390 - Typical performance - not guaranteed values

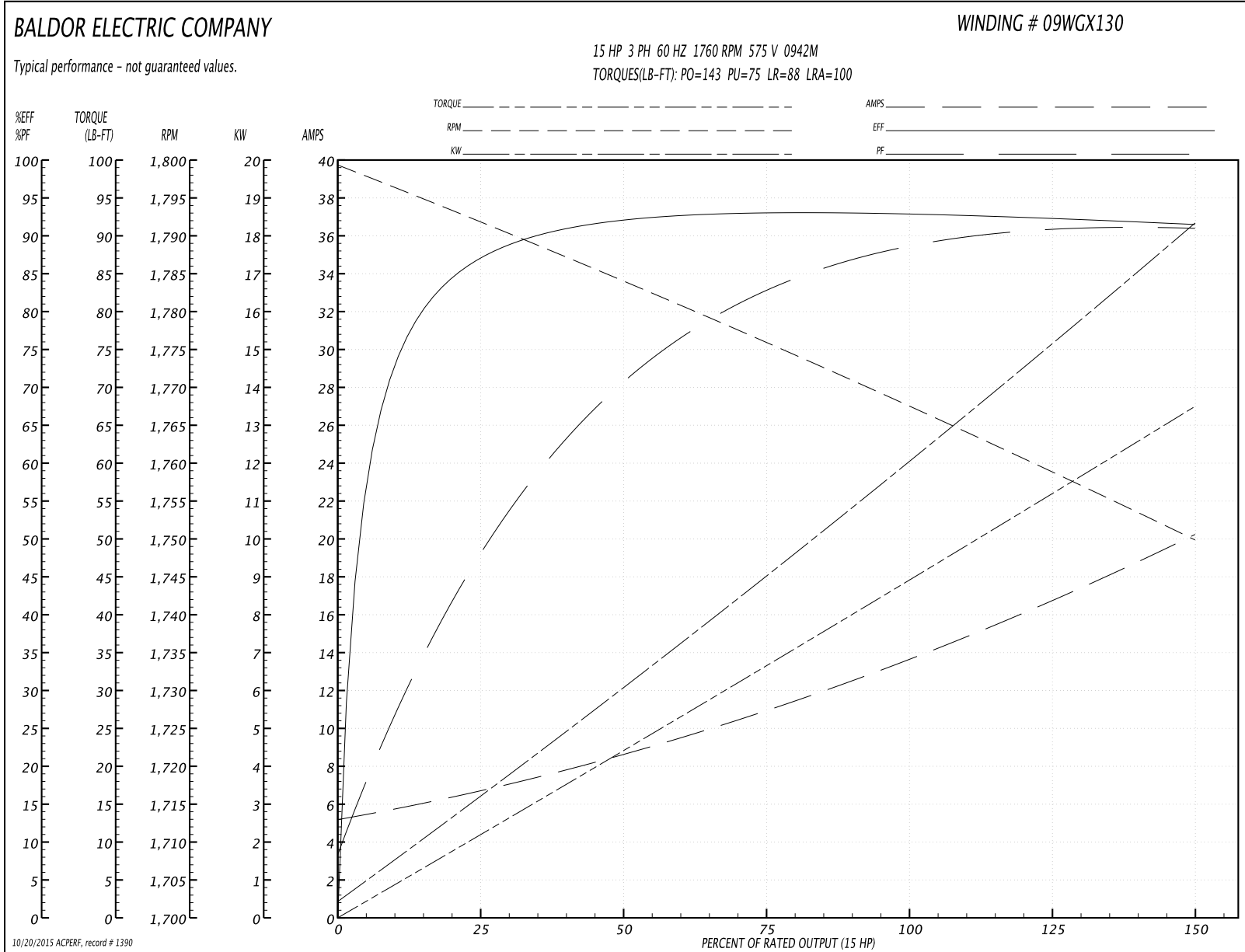
Winding: 09WGX130-R001	Type: 0942M	Enclosure: TEFC
-------------------------------	--------------------	------------------------

Nameplate Data				575 V, 60 Hz: Single Voltage Motor	
Rated Output (HP)	15			Full Load Torque	45 LB-FT
Volts	575			Start Configuration	direct on line
Full Load Amps	14.5			Breakdown Torque	143 LB-FT
R.P.M.	1760			Pull-up Torque	75 LB-FT
Hz	60	Phase	3	Locked-rotor Torque	88 LB-FT
NEMA Design Code	B	KVA Code	H	Starting Current	100 A
Service Factor (S.F.)	1.15			No-load Current	5.56 A
NEMA Nom. Eff.	92.4	Power Factor	84	Line-line Res. @ 25°C	0.908 Ω
Rating - Duty	40C AMB-CONT			Temp. Rise @ Rated Load	47°C
S.F. Amps				Temp. Rise @ S.F. Load	56°C
				Rotor inertia	1.84 LB-FT ²

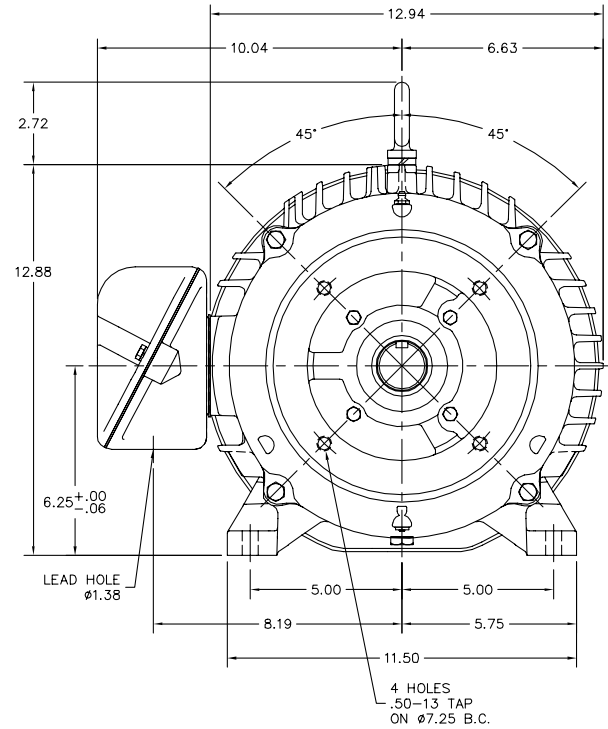
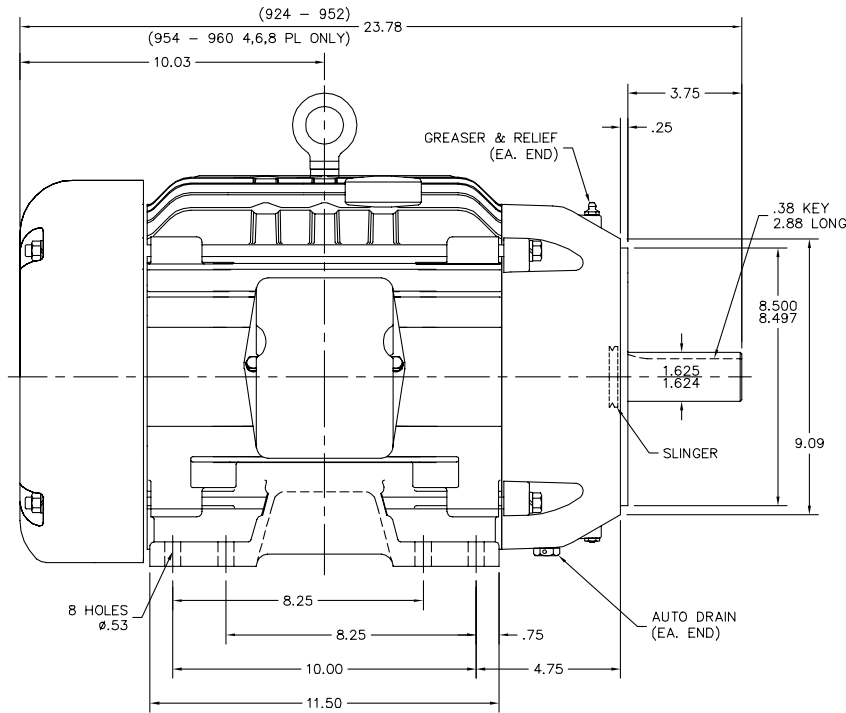
Load Characteristics 575 V, 60 Hz, 15 HP

% of Rated Load	25	50	75	100	125	150	S.F.
Power Factor	49	71	81	86	88	89	87
Efficiency	87.9	92.1	93	92.8	92.3	91.5	92.5
Speed	1792	1784	1776	1766	1759	1750	1762
Line amperes	6.32	8.42	10.9	14.5	16.8	20	15.6

Performance Graph at 575V, 60Hz, 15.0HP Typical performance - Not guaranteed values



09LYC102



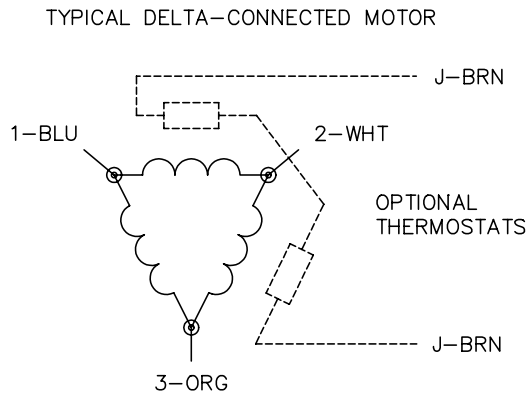
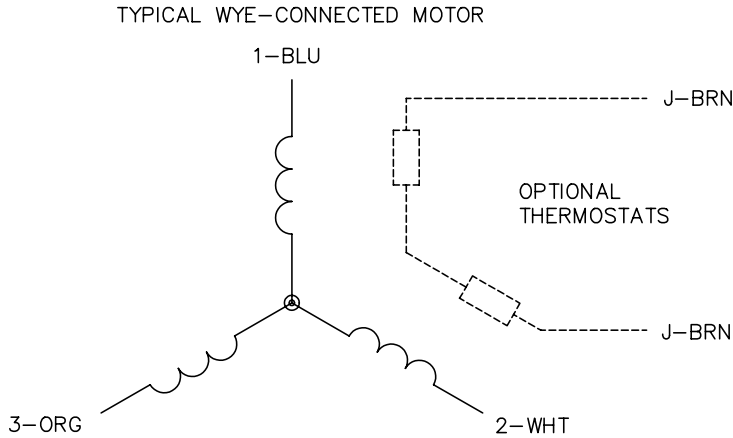
09LYC102

CUSTOMER IS RESPONSIBLE FOR DETERMINING THAT BALDOR'S PRODUCT WILL PERFORM SUITABLY IN THE INTENDED APPLICATION.

REV. DESC: UPDATE DESCRIPTION		
REV. LTR: P	VERSION: 05	TDR: 000000855568
FILE: \AAA\00000\419	REVISED: 12:27:21 05/28/2014	BY: ENBRISO
MTL: -		

BALDOR
 HORZ TEFC 254-6TC
 SH 1 of 1

CD0006



NOTES:

1. THREE LEAD MOTOR MAY BE EITHER WYE CONNECTED OR DELTA CONNECTED.
2. INTERCHANGE ANY TWO LINE LEADS TO REVERSE ROTATION.
3. OPTIONAL THERMOSTATS ARE PROVIDED WHEN SPECIFIED.
4. ACTUAL NUMBER OF INTERNAL PARALLEL CIRCUITS MAY VARY.
5. LEAD COLORS ARE OPTIONAL. LEADS MUST BE NUMBERED AS SHOWN.

REV. DESC: REVISE TO SHOW OPTIONAL COLORS			
REV. LTR: D	BY: JLP	REVISED: 01/21/99 4:02	TDR: 0171435
9000D		FILE: AAA00005141	MDL: -
		MTL: -	

BALDOR ELECTRIC Co.

3PH, SV, 3 LEADS, WYE OR DELTA CONNECTED

CD0006