

BALDOR® • RELIANCE

Product Information Packet

AOM3538

.5HP, 1725RPM, 3PH, 60HZ, 56, 3413M, TEAO, F1

Part Detail							
Revision:	N	Status:	PRD/A	Change #:		Proprietary:	No
Type:	AC	Prod. Type:	3413M	Elec. Spec:	34WGW138	CD Diagram:	CD0005
Enclosure:	TEAO	Mfg Plant:		Mech. Spec:	34T045	Layout:	34LYT045
Frame:	56	Mounting:	F1	Poles:	04	Created Date:	
Base:	RG	Rotation:	R	Insulation:	F	Eff. Date:	03-23-2011
Leads:	9#18 36" LG Y					Replaced By:	
Literature:		Elec. Diagram:					

Nameplate NP1256L							
CAT.NO.	AOM3538						
SPEC.	34T45W138						
HP	.5 AIR OVER						
VOLTS	208-230/460						
AMP	2.4-2.2/1.1						
RPM	1725						
FRAME	56	HZ	60	PH	3		
SER.F.	1.00	CODE	L	DES	B	CLASS	F
NEMA-NOM-EFF	70	PF	60				
RATING	40C AMB-CONT						
CC		USABLE AT 208V	2.4				
DE	6203	ODE	6203				
ENCL	TEAO	SN					
	1000 FPM AT 44 CFM						

Parts List		
Part Number	Description	Quantity
SA007562	SA 34T45W138	1.000 EA
RA004100	RA 34T45W138	1.000 EA
NS2512A01	INSULATOR, CONDUIT BOX X	1.000 EA
34CB3002A	CB CAST W/.88 DIA HOLE	1.000 EA
34GS1029A01	GASKET, CONDUIT BOX	1.000 EA
51XB1016A07	10-16 X 7/16 HXWSSLD SERTYB	2.000 EA
11XW1032G06	10-32 X .38, TAPTITE II, HEX WSHR SLTD U	1.000 EA
34EP3100A03SP	FR ENDPLATE, MACH	1.000 EA
HW5100A03SP	WAVY WASHER (W1543-017)	1.000 EA
34EP3102A02SP	FR/PU ENDPLATE, MACH	1.000 EA
XY1032A02	10-32 HEX NUT DIRECTIONAL SERRATION	4.000 EA
34CB4517	CB LID 4 MTG HOLES .22 DIA STAMPED, FOR	1.000 EA
34GS1031A01	GASKET, FLAT CONDUIT BOX LID (LEXIDE)	1.000 EA
51XW0832A07	8-32 X .44, TAPTITE II, HEX WSHR SLTD SE	4.000 EA
HW2501D13SP	KEY, 3/16 SQ X 1.375	1.000 EA
HA7000A04	KEY RETAINER 0.625 DIA SHAFTS	1.000 EA
MG1000G27	MED CHARCOAL METALLIC GREY	0.014 GA
10XF0440S02	04-40 X 1/8 TYPE F HEX HD STAINLESS STIC	2.000 EA
HA3100A12	THRUBOLT 10-32 X 7.375	4.000 EA
LC0005E01	CONN.DIA./WARNING LABEL (LC0005/LB1119N)	1.000 EA
NP1256L	ALUM UL CSA CC	1.000 EA
34PA1002	PKG GRP, PRINT PK1001A01	1.000 EA

Accessories		
Part Number	Description	Multiplier
34-171	C FACE KIT	A8

AC Induction Motor Performance Data
Record # 6894 - Typical performance - not guaranteed values

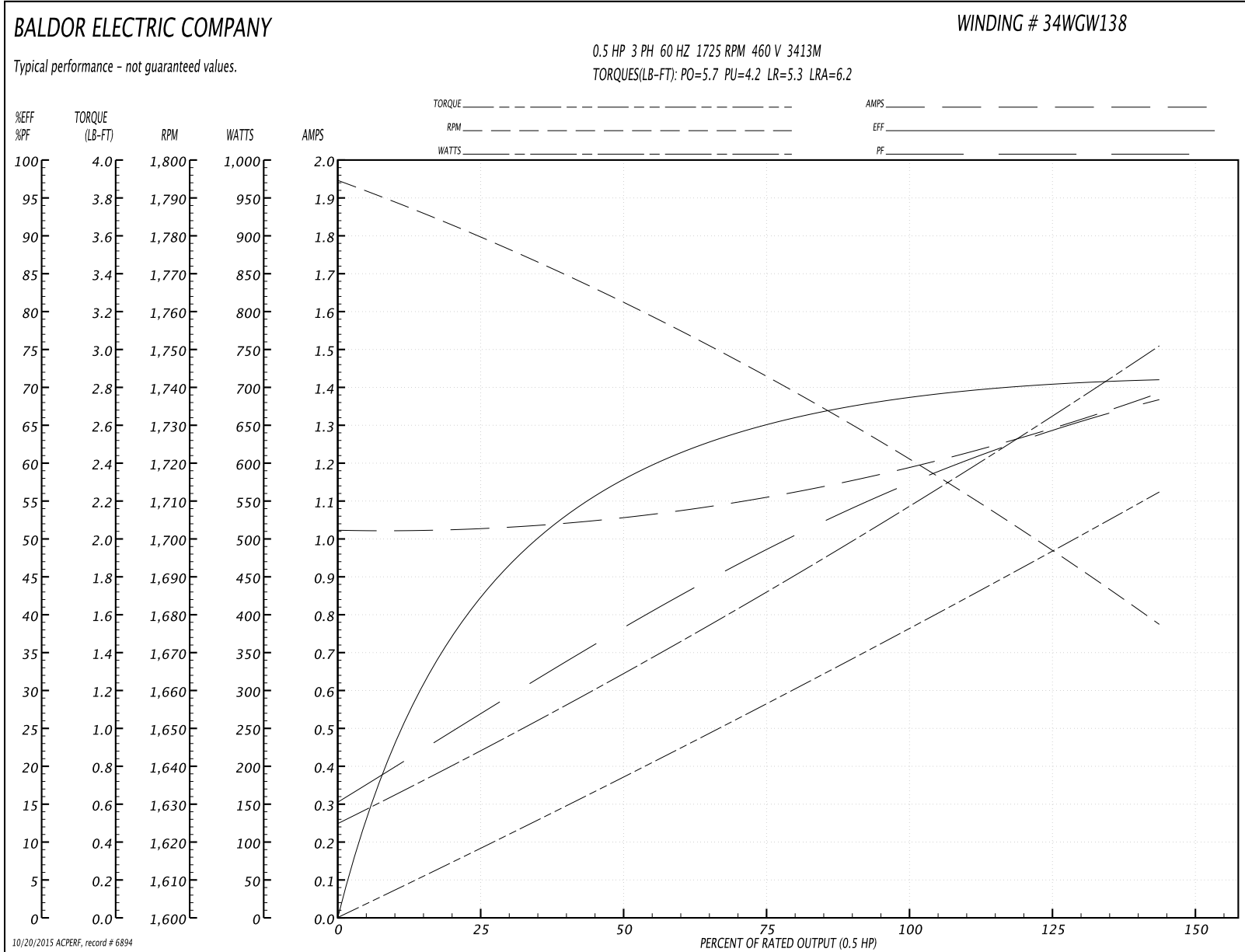
Winding: 34WGW138-R001	Type: 3413M	Enclosure: TEAO
-------------------------------	--------------------	------------------------

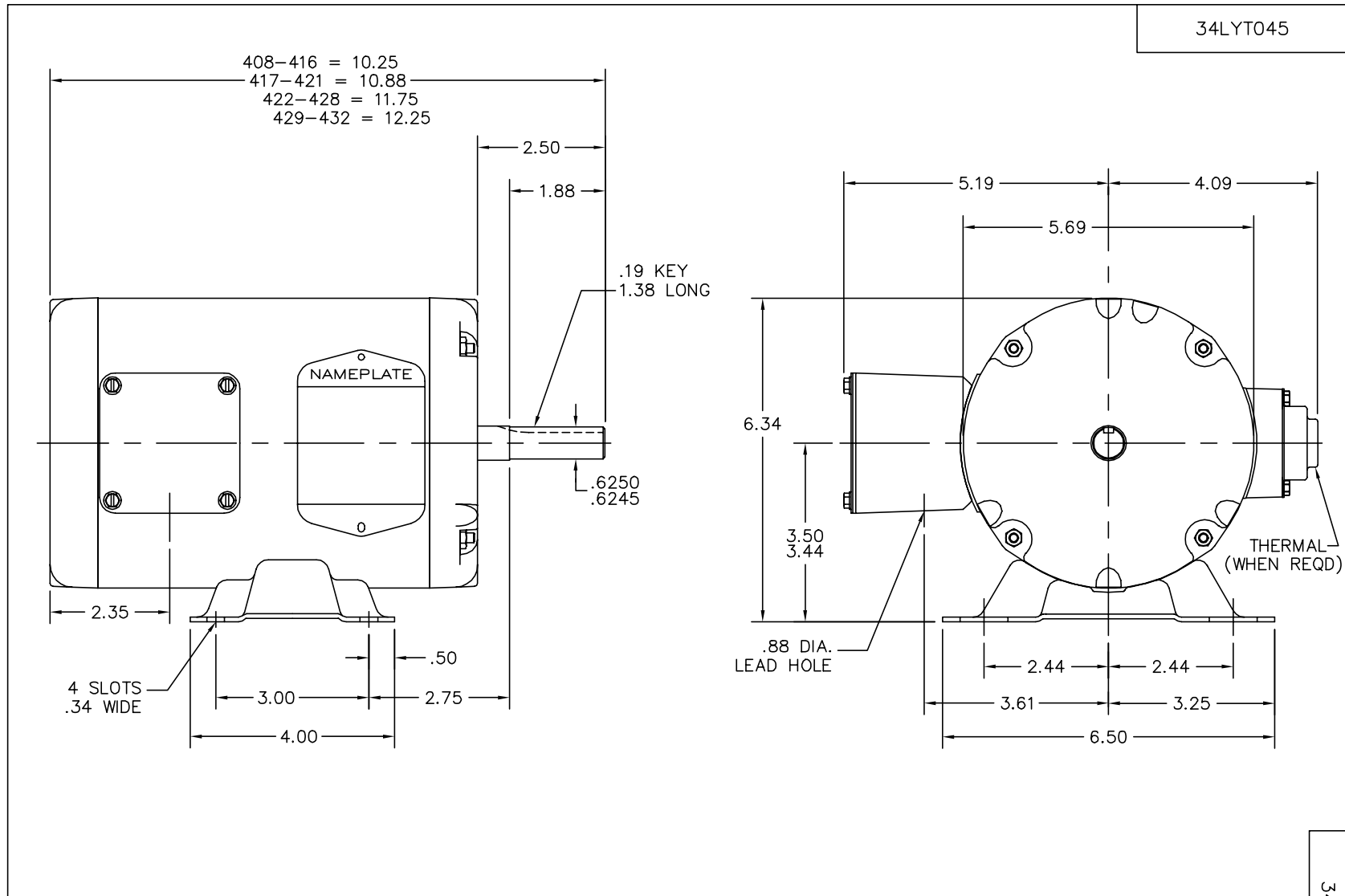
Nameplate Data				460 V, 60 Hz: High Voltage Connection	
Rated Output (HP)	.5 AIR OVER			Full Load Torque	1.5 LB-FT
Volts	208-230/460			Start Configuration	direct on line
Full Load Amps	2.4-2.2/1.1			Breakdown Torque	5.7 LB-FT
R.P.M.	1725			Pull-up Torque	4.2 LB-FT
Hz	60	Phase	3	Locked-rotor Torque	5.3 LB-FT
NEMA Design Code	B	KVA Code	L	Starting Current	6.2 A
Service Factor (S.F.)	1			No-load Current	1.02 A
NEMA Nom. Eff.	70	Power Factor	60	Line-line Res. @ 25°C	35.4 Ω
Rating - Duty	40C AMB-CONT			Temp. Rise @ Rated Load	70°C
				Rotor inertia	0.031 LB-FT ²

Load Characteristics 460 V, 60 Hz, 0.5 HP

% of Rated Load	25	50	75	100	125	150
Power Factor	27	38	48	57	65	71
Efficiency	42	58	65	69	70	71
Speed	1779	1762	1743	1723	1701	1677
Line amperes	1.03	1.06	1.11	1.18	1.27	1.39

Performance Graph at 460V, 60Hz, 0.5HP Typical performance - Not guaranteed values





CUSTOMER IS RESPONSIBLE FOR DETERMINING THAT MOTOR PERFORMANCE IS SUITABLE IN THE APPLICATION.

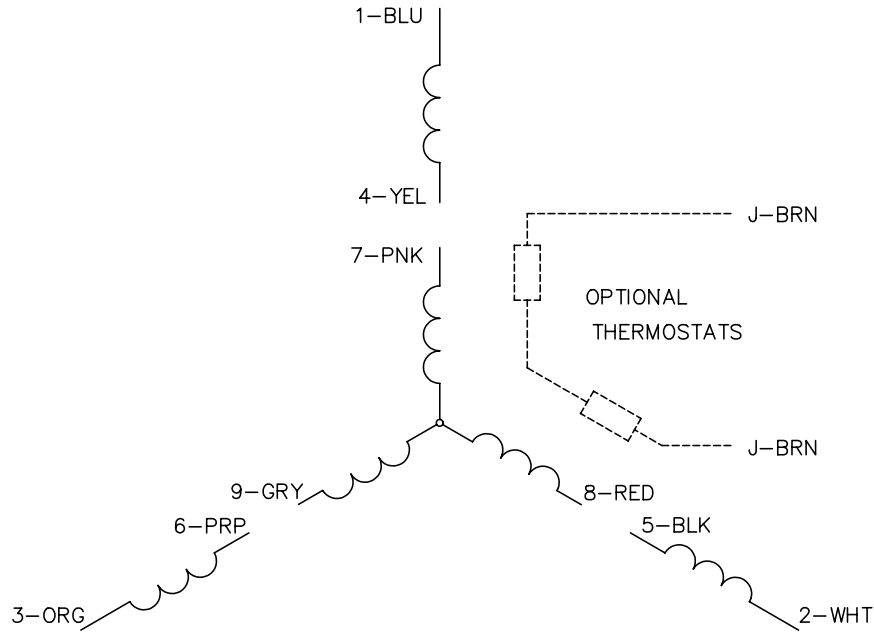
REV. DESC: UPDATED DRAWING		
REV. LTR: D	VERSION: 01	TDR: 000000424850
34LYT045	FILE: \AAA\00026\166	REVISED: 08:19:50 03/13/2007
	MTL: -	BY: ENRSTO

BALDOR ELECTRIC Co.

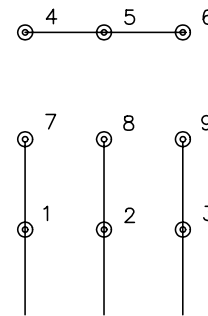
STD HORZ MODEL 34M NEMA 56 TEAO

34LYT045

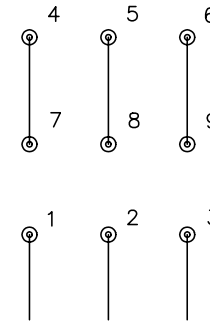
CD0005



LOW VOLTAGE
(2Y)



HIGH VOLTAGE
(1Y)



NOTES:

1. INTERCHANGE ANY TWO LINE LEADS TO REVERSE ROTATION.
2. OPTIONAL THERMOSTATS ARE PROVIDED WHEN SPECIFIED.
3. ACTUAL NUMBER OF INTERNAL PARALLEL CIRCUITS MAY BE A MULTIPLE OF THOSE SHOWN ABOVE.
4. LEAD COLORS ARE OPTIONAL. LEADS MUST ALWAYS BE NUMBERED AS SHOWN.

REV. DESC: REVISE TO SHOW OPTIONAL COLORS			
REV. LTR: E	BY: JLP	REVISED: 01/19/99 10:15	TDR: 0171435
9000D		FILE: AAA00005140	MDL: -
		MTL: -	

BALDOR ELECTRIC Co.

3PH, DV, 9 LEADS

CD0005