

REPLACE THE FIXTURE NOT THE POLE

SLP22 Series



Alpha Series LED
PROFESSIONAL GRADE

LUMENS: 19,070 **WATTS: 175**
LUMENS PER WATT: 110 **200,000+ HOURS**
CCT: 4500K
CRI: 74 **DIMMING: 10-100%**

LUMENS: 23,640 **WATTS: 230**
LUMENS PER WATT: 103 **200,000+ HOURS**
CCT: 4500K
CRI: 74 **DIMMING: 10-100%**

LUMENS: 27,310 **WATTS: 270**
LUMENS PER WATT: 100 **200,000+ HOURS**
CCT: 4500K
CRI: 75 **DIMMING: 10-100%**

Note: Information is for Type III, others available online

FEATURES

Construction

- Separate Driver Compartment - For Cooler Operation
- Low Profile
- External Airflow Fins for Greater Heat Dissipation
- 100% Aluminum with Zero Remelt

Electrical

- 120-277V 50/60Hz Standard
- 10-100% Dimming Standard
- -30°C to 40°C Ambient Environments
- 480 60Hz Optional

Mounting (See pages 60-61)

- Change the Fixture Not the Pole
- Fits Any Existing Pole
- Multiple Brackets Available
- Die Cast Arm is Integrated in Housing

Optics

- Optical Grade Acrylic Lenses
- Light Bar Technology with Individual Optics
- High Efficiency - Up to 95%
- Delivers Increased Footcandles
- Less Glare / Less Wasted Light

Energy Data

- Philips Advance Quality LED Driver
- >0.9 Power Factor
- <20% Total Harmonic Distortion
- 120-277V/50 & 60hz, 480V/60hz
- -30°C Minimum Temperature
- 40°C Ambient Temperature Rating

Ordering Information

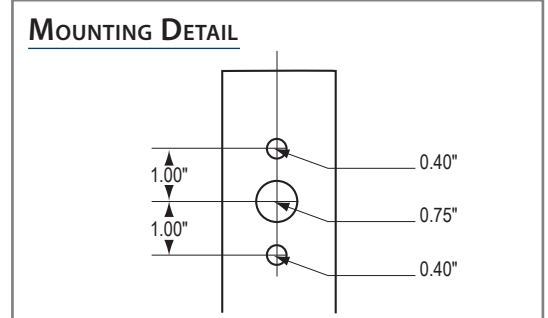
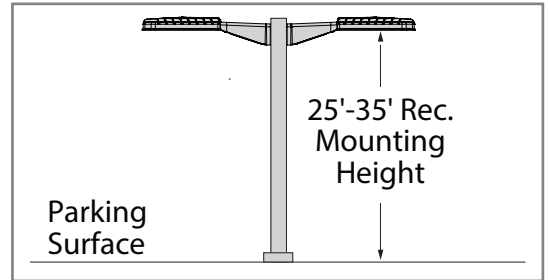
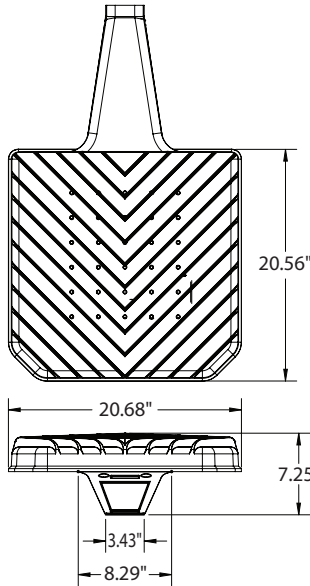
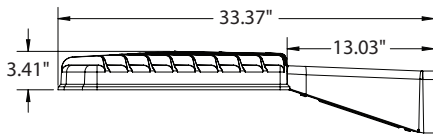
SLP22	175LED		T3R	4K		U		
PRODUCT SERIES SLP22 = Site Lighter Pro 22"		FIXTURE BRACKET blank = Square Pole RP = Round Pole		COLOR TEMPERATURE 4K = 4500K		VOLTAGE U = 120-277 4 = 480		OPTIONS PRC = PC Receptacle 120 PR2 = PC Receptacle 208 PR3 = PC Receptacle 240 PR4 = PC Receptacle 277 PR5 = PC Receptacle 480 SP = Surge Protection
	WATTAGE 175LED = 175 System Watts 230LED = 230 System Watts 270LED = 270 System Watts		OPTIC T3 = Type III T4 = Type IV T5 = Type V SC = SLX Combo <i>Rotatable Optics: Add R for Right Facing; Add L for Left Facing</i>		CONTROLS Blank = Dimming B = Bi-Level Switching M = Motion		COLOR Blank = Bronze S = Anodized Silver B = Black W = White	





REPLACE THE FIXTURE NOT THE POLE

DIMENSIONS AND SPECIFICATIONS

Overall Height: 7.25" (18.415 cm)
Overall Width: 20.68" (52.5272 cm)
Depth: 33.37" (84.7598 cm)
Weight: 31 lbs.
EPA: 0.82



MH vs LED COMPARISON CHART

	1000W METAL HALIDE	ATLAS 270W LED
AREA LIGHTS	1080 INPUT WATTS 	270 INPUT WATTS 
TOTAL YEARLY COST INC. MAINT.	\$523	\$118
TOTAL YEARLY SAVINGS	-	\$405
POTENTIAL ONE TIME REBATE	\$0	\$200
TOTAL FIRST YEAR SAVINGS	-	\$605
DOLLAR RETURN IN 3 YEARS	-	\$1,415

Based on 12 hours per day | \$0.10/kWh Utility Rates & Rebates Vary by Location

77% ANNUAL SAVINGS

Less Than 3 Year Payback

AVERAGE 3 YR ROI **110%**

**PHILIPS
ADVANCE**

Quality LED Drivers



For more information including photometrics, Lighting Facts and DLC visit www.atlasled.com

