

Carlton® Recessed Dual Voltage 3-Gang Old Work Plate



The New Carlton RDV 3-Gang Old Work Plate has been developed to simplify today's in-home entertainment/networking needs. The box is designed to accommodate the wires, cables and cords used with flat panel display installations. It features a two-gang low voltage opening and a one-gang opening for an outlet/switch box (boxes, devices, and plates not included). The hi-gloss, recessed design eliminates unsightly wires, cables, and cords, and blends with any décor. The RDV Old Work Plate makes installing flat panel displays faster and easier!



Innovative Solutions For Wire and Cable Management.

Features:

- 3-Gang dual service capability: Accommodates (1) high and (2) low voltage services using one plate (*boxes, devices, and plates not included*)
- Recessed low profile design: Eliminates unsightly wires and plug heads
- Universal 1-gang outlet /switch opening: Select the size box you need
- Pre-assembled box and frame: Reduces labor time and saves money
- Shallow design: Provides ample room behind the dry wall and between the studs, and accommodates cable bend requirements
- 4 Swing out clamps: Locks the plate securely to the wall – horizontal or vertical mount
- Superior hi-gloss, paintable finish: Professional appearance, and blends with any décor
- Nonmetallic, ABS material: Lightweight and easy to handle

Installation

Please read these instructions completely before attempting installation.

IMPORTANT! Before attempting installation be sure power is off by removing the fuse or switching the circuit breaker to "off". Make sure the Recessed Dual Voltage plate is installed in accordance with the National Electrical Code (NEC) and local codes.



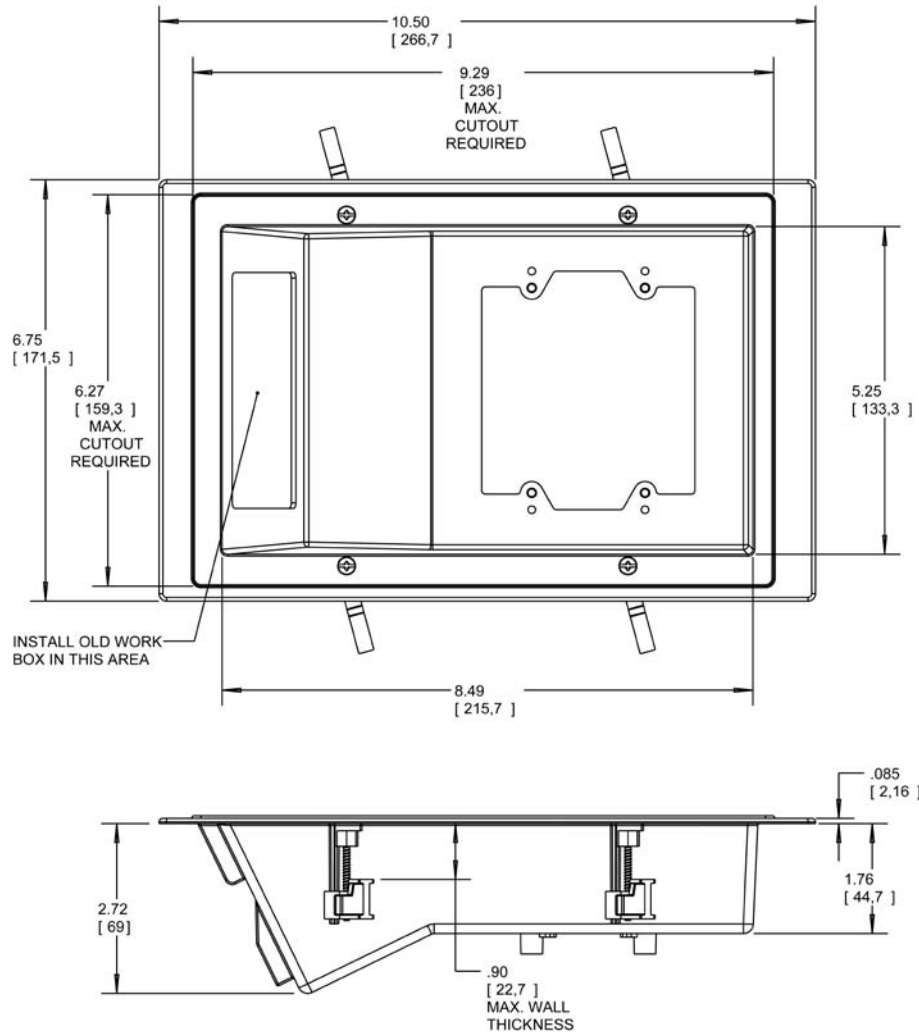
1. Locate studs and determine if they are 16" or 24" apart. If 16" apart, measure a maximum of 3" from edge of stud to determine plate location. If 24" apart, center plate between studs. Note: High voltage side must be 3" from stud.
2. Place SC300PRB or SC300PRR face down against the wall. Using a hammer, tap around the edge of the plate to mark area to be cut out (Fig. 1). Remove plate from wall, a line should be visible on the drywall. Cutout should be 6.25" x 9.25" approximately.
3. Carefully cut out area of drywall with a utility knife or drywall saw.
4. Place SC300PRB or SC300PRR in wall and secure by tightening down all four Zip-Mount retainers (Fig. 2).
5. Select device and outlet/switch box, part number B114R (14 cu. in.) or B120R (20 cu. in.), based on wire fill needs (Fig. 3).
6. Insert wires through boxes (B114R or B120R, and SC300PRB or SC300PRR). Make sure high and low voltage wires do not come in contact with one another.
7. Install Carlon Old Work Zip Box, model B114R or B120R (Fig. 4).
8. Install receptacle and faceplate per manufacturer's instructions (Fig. 5).
9. Install low voltage devices and faceplate per manufacturer's instructions (Fig. 6 and Fig. 7).

Note: When preparing for later installation of low voltage devices, use a 2 gang blank plate to cover wall opening for a clean finished look.



Specifications

Part Number	Description	Std. Carton Qty.	Std. Carton Wt. (lbs.)
SC300PRB	RDV 3-Gang Old Work Plate	20	11.62
SC300PRR	RDV 3-Gang Old Work Plate w/ Outlet Box (B114R)	3	2.48



Installed

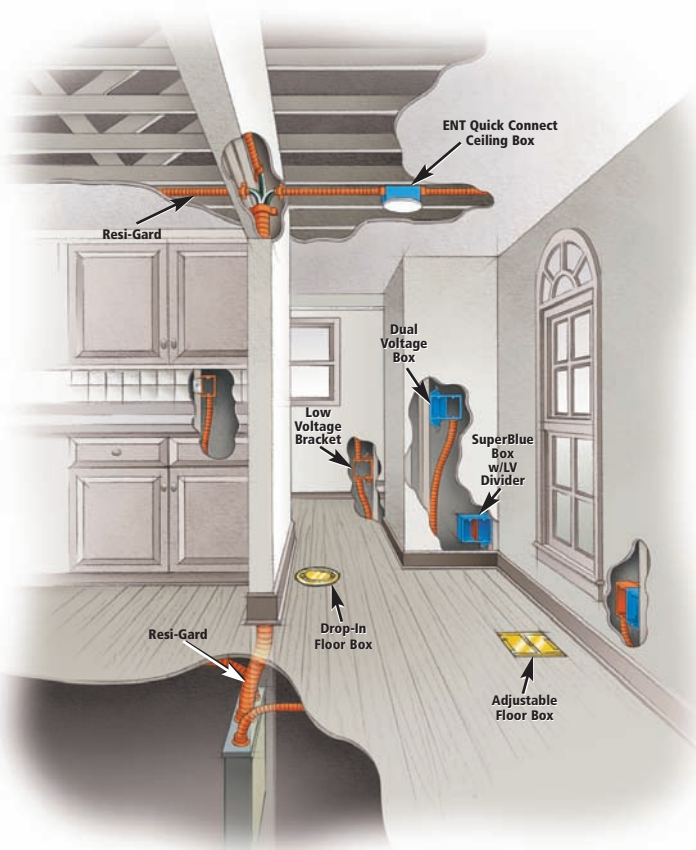


Low voltage devices and receptacle not included



Top view showing ample room between drywall and studs

Carlton® Premise FTTx Solutions



Residential



Commercial

Carlton®

In USA, contact:
25701 Science Park Drive • Cleveland, Ohio 44122
1-800-3-CARLON (1-800-322-7566) • In Ohio, (216) 464-3400
Fax: (216) 766-6444
TDD/Hearing Impaired Access (216) 831-5918
www.carlon.com