



BALDOR® • RELIANCE

Product Information Packet

UCL3145

3-4.5HP, 3450RPM, 1PH, 60HZ, 145TZ, 3540LC

Part Detail							
Revision:	AE	Status:	PRD/A	Change #:		Proprietary:	No
Type:	AC	Prod. Type:	3540LC	Elec. Spec:	35WGT819	CD Diagram:	CD0017A02
Enclosure:	OLC	Mfg Plant:		Mech. Spec:	35T926	Layout:	35LYT926
Frame:	145TZ	Mounting:	F1	Poles:	02	Created Date:	06-22-2007
Base:	RG	Rotation:	R	Insulation:	F	Eff. Date:	08-26-2015
Leads:	2#12 A PH 30"LG,2#18 B PH Y					Replaced By:	
Literature:		Elec. Diagram:					

Nameplate NP1279L							
CAT.NO.	UCL3145						
SPEC.	35T926T819						
HP	3-4.5 AIR OVER						
VOLTS	230						
AMP	14.3-20						
RPM	3450						
FRAME	145TZ	HZ	60	PH	1		
SER.F.	1.00	CODE	J	DES	-	CL	F
NEMA-NOM-EFF	77.8	PF	91				
RATING	40C AMB-CONT						
CC		USABLE AT 208V	21.5				
DE	6206	ODE	6203				
ENCL	OLC	SN					

Nameplate NP1263L							
CAT.NO.	UCL3145						
SPEC.	35T926T819						
HP	3-4.5 AIR OVER						
VOLTS	230						
AMP	14.3-20						
RPM	3450						
FRAME	145TZ	HZ	60	PH	1		
SER.F.	1.00	CODE	J	DES	-	CL	F
NEMA-NOM-EFF	77.8	PF	91				
RATING	40C AMB-CONT						
CC		USABLE AT 208V	21.5				
DE	6206	ODE	6203				
ENCL	OLC	SN					

Parts List		
Part Number	Description	Quantity
SA108772	SA 35T926T819	1.000 EA
RA100294	RA 35T926T819	1.000 EA
OC3030F11SP	CYL OIL CAP 30MFD/370V	1.000 EA
EC4270C06	ELEC CAP, 270-324 MFD, 250V, 2.06D X 4.	1.000 EA
HA6021A01SP	ADAPTOR, MACH	1.000 EA
36GS5000	GASKET CONDUIT ADAPTOR	1.000 EA
51XB1016A07	10-16 X 7/16 HXWSSLD SERTYB	2.000 EA
11XT1032G04	10-32 X 1/4" GRD SCREW	1.000 EA
HW3001B01	BRASS CUP WASHER, FOR #8 SCREW	1.000 EA
35EP3201A63	FR EP OPEN 203 BRG W/2 GRSR & SCREEN	1.000 EA
HW4500A19	1/4-28X1/4 SLOTTED PLUG F/S	2.000 EA
HA1100A03	SCREEN, RODENT	1.000 EA
51XW1032A06	10-32 X .38, TAPTITE II, HEX WSHR SLTD S	4.000 EA
HW1000A10	#10 FLAT WASHER (SAE)	4.000 EA
51XW0832A07	8-32 X .44, TAPTITE II, HEX WSHR SLTD SE	2.000 EA
NS2501A01	INSULATOR, CAPACITOR	2.000 EA
51XB1016A05	10-16X5/16HX WA SL SR TYB (F/S)	4.000 EA
HW5100A03SP	WAVY WASHER (W1543-017)	1.000 EA
35EP3207A05	EP PU OPEN W/206 BRG, (2) GREASERS & LOC	1.000 EA
HW4500A19	1/4-28X1/4 SLOTTED PLUG F/S	2.000 EA
HA1100A08	35 RODENT SCREEN OPEN 206 BRG (35EP3207)	1.000 EA
51XW1032A06	10-32 X .38, TAPTITE II, HEX WSHR SLTD S	2.000 EA
HW1000A10	#10 FLAT WASHER (SAE)	2.000 EA
51XN1032A24	10-32 X 1 1/2 HX WS SL SR	2.000 EA

Parts List (continued)		
Part Number	Description	Quantity
XY1032A02	10-32 HEX NUT DIRECTIONAL SERRATION	4.000 EA
HW2501D13SP	KEY, 3/16 SQ X 1.375	1.000 EA
HA7000A01	KEY RETAINER 7/8" DIA SHAFT	1.000 EA
85XU0407S04	4X1/4 U DRIVE PIN STAINLESS	2.000 EA
LB1001	LABEL, GREASE-EXXON POLYREX EM	1.000 EA
ML1400DF14	14 AWG,BLANK,GREEN w/YELLOW STRIPE	35.000 IN
WD1000D01	TERM,NYLON INS RING,T&B RB14-10 16-14 GA	1.000 EA
WD1000A15	3-520132-2 AMP FLAG (4M/RL NON-CANC/NON-	4.000 EA
MJ1000A75	GREASE, POLYREX EM EXXON (USe 4824-15A)	0.050 LB
MG1025C02	RAL6081, LIGHT SUPER TAN, GLOSS 85,	0.017 GA
SP5181A10	MODEL 35 LC TORQ STAT SWITCH LEAD ASSY	1.000 EA
35CB4802A02SP	CAPACITOR COVER, STAMPED X W/AUTOPHORET	2.000 EA
HA3100A42	THRUBOLT 10-32 X 12.000	4.000 EA
LB1119N	WARNING LABEL	1.000 EA
LC0017	CONN LABEL-1 PHASE-SINGLE VOLT-REV ROTNO	1.000 EA
NP1279L	ALUM FARM DUTY UL CSA CC	1.000 EA
NP1263L	AUX, GP, ALUM, CC, LASER ETCHED	1.000 EA
36PA1000	PKG GRP, PRINT PK1016A06	1.000 EA

Accessories		
Part Number	Description	Multiplier
35-1409	C FACE KIT	A8

AC Induction Motor Performance Data
Record # 9620 - Typical performance - not guaranteed values

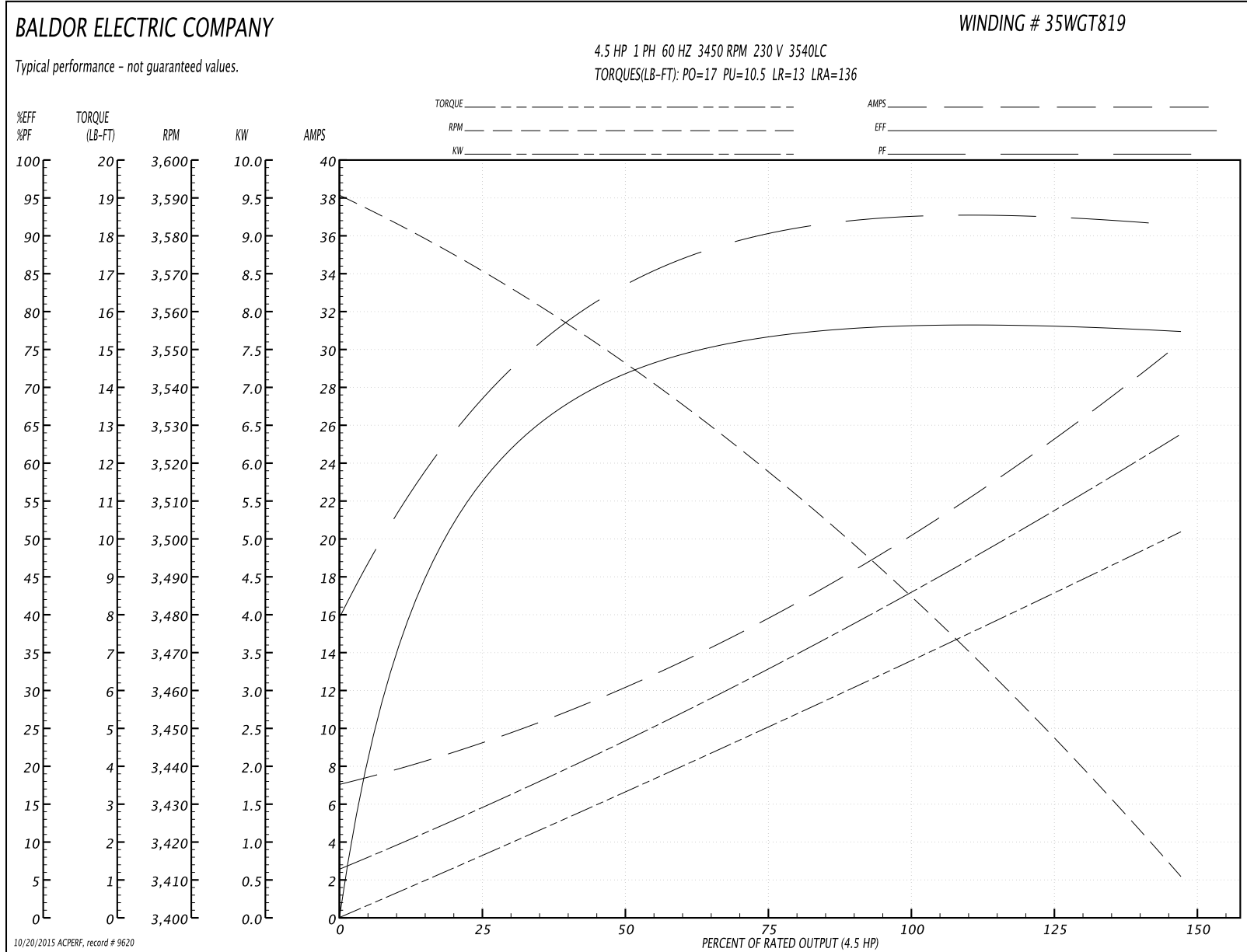
Winding: 35WGT819-R001	Type: 3540LC	Enclosure: OPAO
-------------------------------	---------------------	------------------------

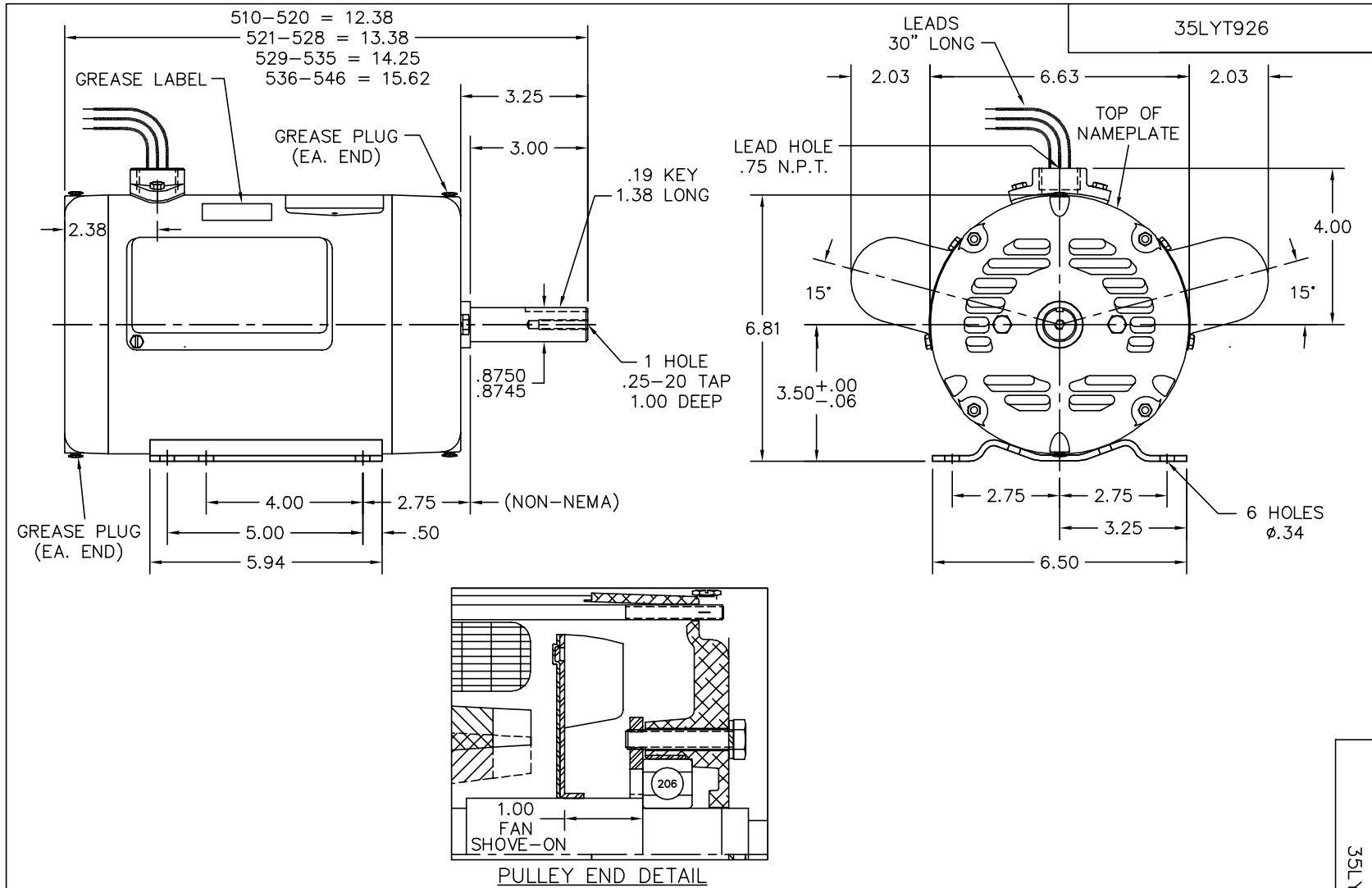
Nameplate Data				230 V, 60 Hz: Single Voltage Motor	
Rated Output (HP)	3-4.5 AIR OVER			Full Load Torque	6.8 LB-FT
Volts	230			Start Configuration	direct on line
Full Load Amps	14.3-20			Breakdown Torque	17 LB-FT
R.P.M.	3450			Pull-up Torque	10.5 LB-FT
Hz	60	Phase	1	Locked-rotor Torque	13 LB-FT
NEMA Design Code	-	KVA Code	J	Starting Current	136 A
Service Factor (S.F.)	1			No-load Current	7.1 A
NEMA Nom. Eff.	77.8	Power Factor	91	Line-line Res. @ 25°C	0.462 Ω A Ph 2.24 Ω B Ph
Rating - Duty	40C AMB-CONT			Temp. Rise @ Rated Load	

Load Characteristics 230 V, 60 Hz, 4.5 HP

% of Rated Load	25	50	75	100	125	150
Power Factor	70	83	89	92	93	93
Efficiency	57.4	71.5	76.8	78.5	78.4	77.1
Speed	3569	3544	3516	3486	3451	3409
Line amperes	9.2	12.3	16	20.3	25	30.4

Performance Graph at 230V, 60Hz, 4.5HP Typical performance - Not guaranteed values





35LYT926

CUSTOMER IS RESPONSIBLE FOR DETERMINING THAT BALDOR'S PRODUCT WILL PERFORM SUITABLY IN THE INTENDED APPLICATION.

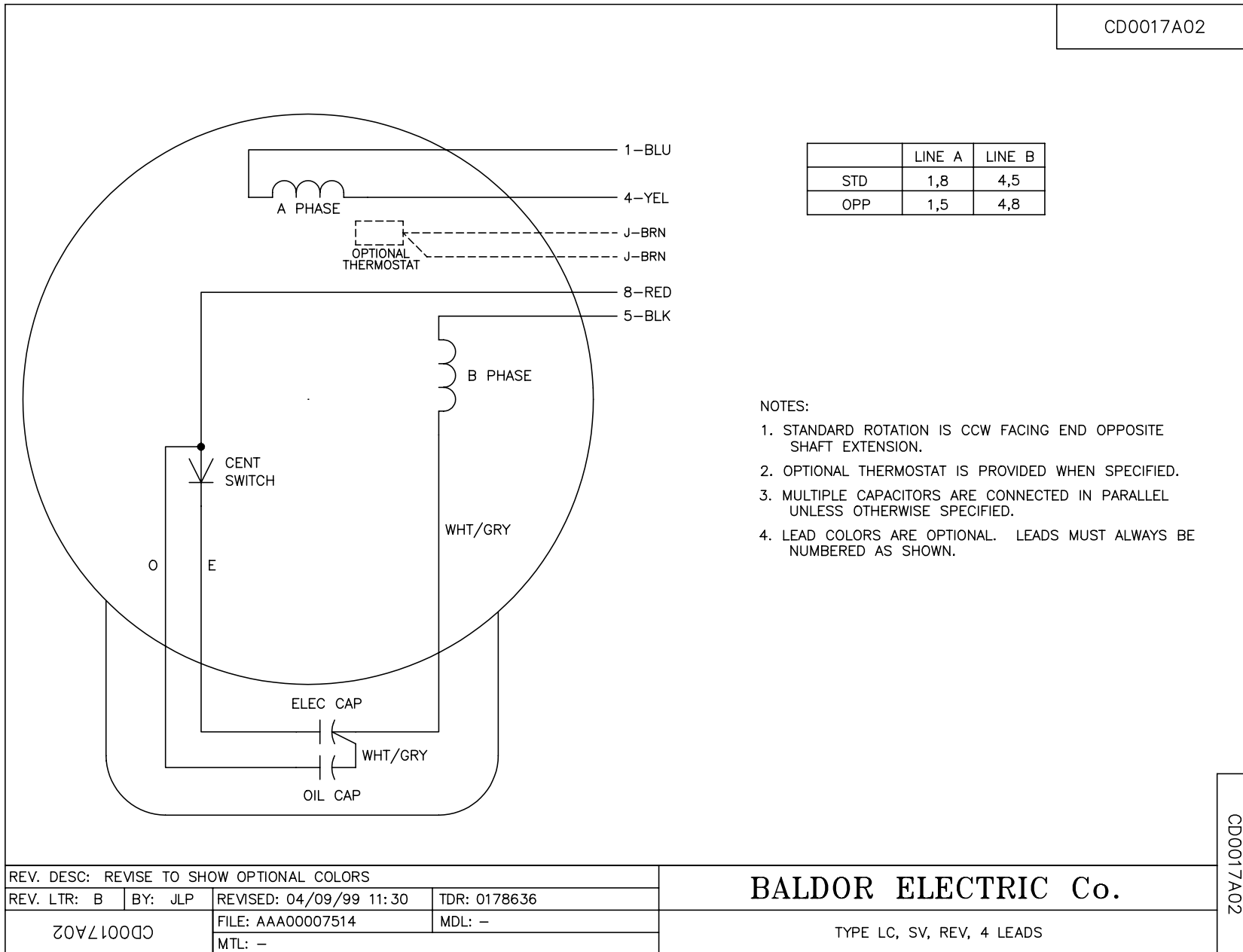
REV. DESC: FREP WAS 35EP3201A62		
REV. LTR: A	VERSION: 01	TDR: 000000502437
FILE: \AAA\00111\071	REVISED: 11:07:33 08/26/2010	
MTL: -	BY: ENMARHO	

BALDOR

HOR 143-5TZ OPAO LC ,(2)L BXS & SCRN,2 POLE "W" BS(35BA4009)

SH 1 of 1

CD0017A02



CD0017A02

REV. DESC: REVISE TO SHOW OPTIONAL COLORS			
REV. LTR: B	BY: JLP	REVISED: 04/09/99 11:30	TDR: 0178636
CD0017A02		FILE: AAA00007514	MDL: -
		MTL: -	

BALDOR ELECTRIC Co.

TYPE LC, SV, REV, 4 LEADS